

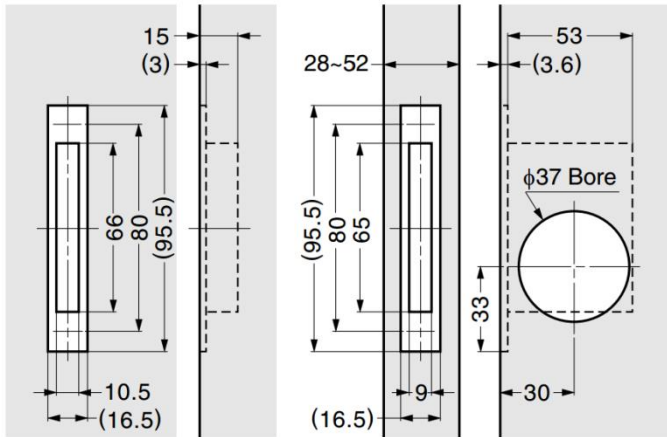
## GHC-30R Sliding Door Latch

### Features

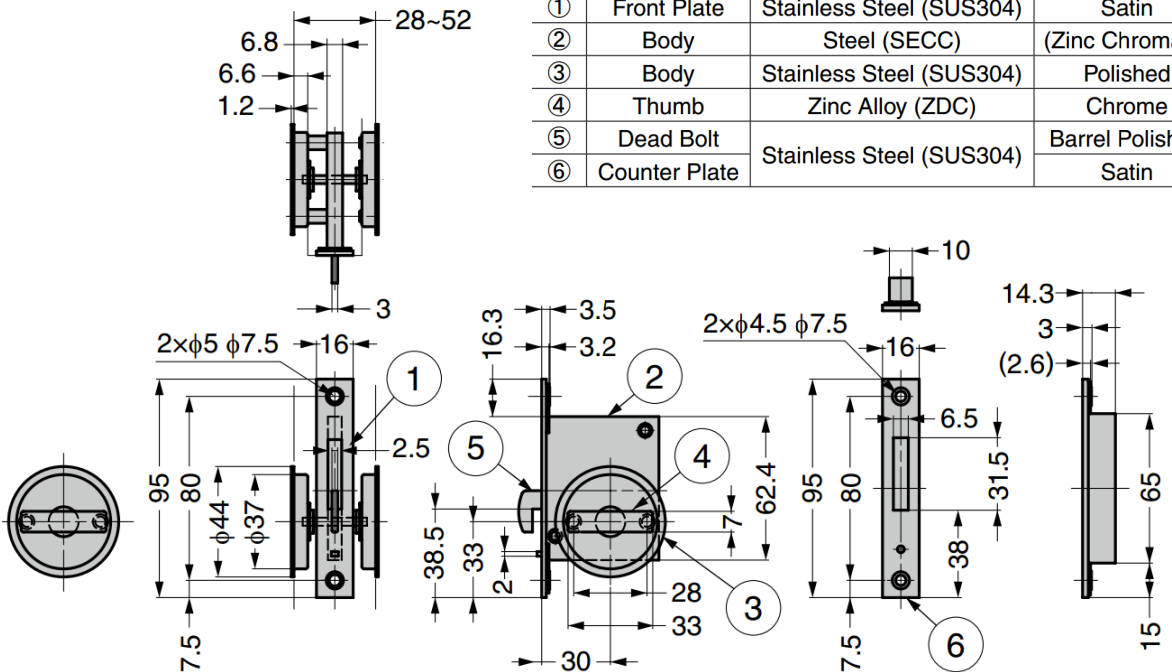
- Double sided thumb type sliding door latch
- Ideal for harsh and high corrosion environments
- Can be latched from both sides and prevents unexpected opening or closing
- Easy installation, flat and compact design for various application

### Parts Included

- Countersunk head wood screw 3.5×20 (SUS)



No.	Part Name	Material	Finish
①	Front Plate	Stainless Steel (SUS304)	Satin
②	Body	Steel (SECC)	(Zinc Chromate)
③	Body	Stainless Steel (SUS304)	Polished
④	Thumb	Zinc Alloy (ZDC)	Chrome
⑤	Dead Bolt	Stainless Steel (SUS304)	Barrel Polished
⑥	Counter Plate		Satin



Part No.	Door Thickness
GHC-30R	28 ~ 52